

◆Characteristics / 特點：

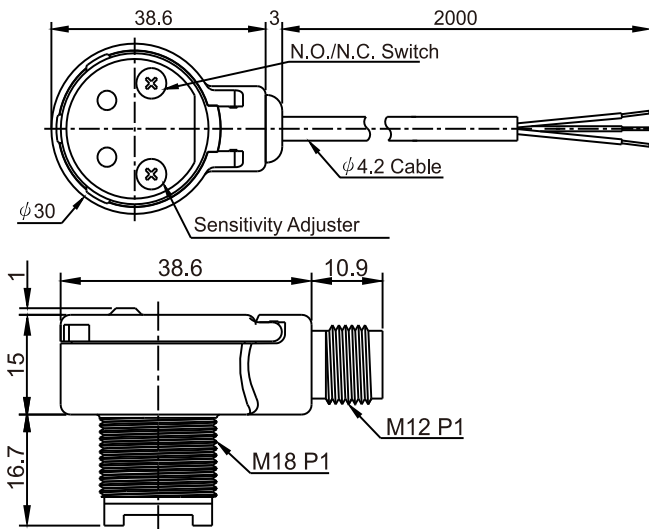
- Elbow housing design, space saving. / 晶體輸出，反應快
- N.O./N.C. function can be adjusted by N.O./N.C. Switch.
(N.C.(D.on) : Turn the switch to the end of left side.
N.O.(L.on) : Turn the switch to the end of right side.)
/輸出之NO/NC可用VR調整，無需重新配線
(N.C. : VR轉至最左；N.O. : VR轉至最右)
- Easy to install. / 體積小(30x49.5x32.7mm)安裝容易
- Prevent from water and oil, dust cover attached.
/具有防塵蓋，可防水、防油



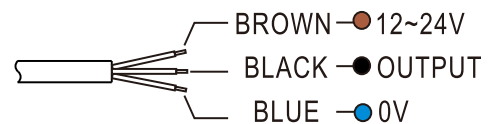
◆Specifications / 規格表：

Model / 型號	NPN L.on/D.on	TQ18-DU10/40N	TQ18-DU10/40NK1
	PNP L.on/D.on	TQ18-DU10/40P	TQ18-DU10/40PK1
Sensing type / 檢出方式	Diffuse reflection/擴散反射式		
Sensing distance / 檢出距離	10cm / 40cm		
Emitting light / 發光源	Infrared LED 850nm		
Operating voltage / 工作電壓	DC12~24V		
Current Consumption / 消耗電流	34mA Max.		
Load current / 負載電流	100mA Max. at DC24V		
Response time / 反應時間	1.5 ms Max.		
Insulation resistance / 隔離阻抗	20MΩ min. (DC500V)		
Voltage withstandability / 絕緣耐壓	AC1000V 60Hz for 60 Sec.		
Operating temperature / 工作溫度	- 25 °C ~ + 60 °C		
Ambient humidity / 工作溼度	35% ~ 85% RH		
Protection degree / 防水等級	IP66		
Material / 外觀材質	ABS		
Wiring method / 出線方式	Pre-wired Ø4.2 x 2 M / 3-wires 出線		M12 plug-in connector type / M12接頭
Weight / 重量	Approx.65g		Approx.18g

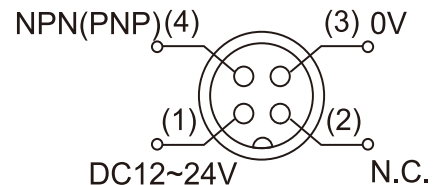
◆Dimensions / 尺寸圖：



TQ18-DU□



TQ18-DU□K1



◆ Characteristics / 特點 :

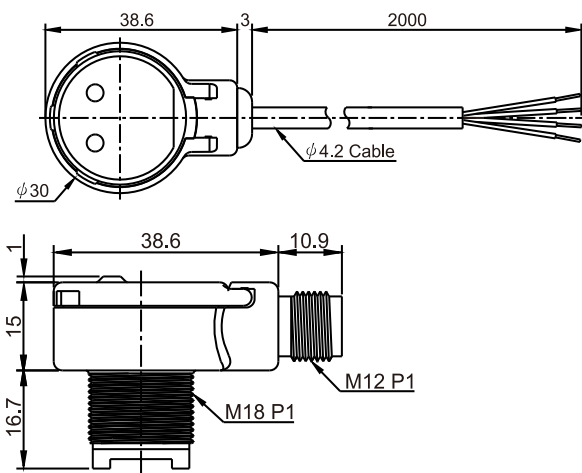
- High brightness dual LED makes you easy to know the current operating situation.
/高亮度雙LED指示燈，讓您可以很快的了解感應器的使用狀態。
- L.on/D.on Switch function.
/有L.on/D.on兩種輸出型的選擇。
- Easy to install. /體積小(30x49.5x32.7mm)安裝容易
- Prevent from water and oil,dust cover attached.
/具有防塵蓋，可防水、防油



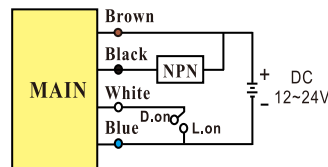
◆ Specifications / 規格表 :

Model / 型號	NPN L.on/D.on	TQ18-10/20N	TQ18-10/20NK1
	PNP L.on/D.on	TQ18-10/20P	TQ18-10/20PK1
Sensing type / 檢出方式	Through beam/對照式		
Sensing distance / 檢出距離	10M / 20M		
Emitting light / 發光源	Infrared LED 850nm		
Operating voltage / 工作電壓	DC12~24V		
Current Consumption / 消耗電流	(Receiver)40mA Max. (Emitter)18mA Max.		
Load current / 負載電流	100mA Max. at DC24V		
Response time / 反應時間	1.5 ms Max.		
Insulation resistance / 隔離阻抗	20MΩ min. (DC500V)		
Voltage withstandability / 絕緣耐壓	AC1000V 60Hz for 60 Sec.		
Operating temperature/工作溫度	- 25 °C ~ + 60 °C		
Ambient humidity / 工作溼度	35% ~ 85% RH		
Protection degree / 防水等級	IP66		
Material / 外觀材質	ABS		
Wiring method / 出線方式	RX : Pre-wired Ø4.2 2M / 4-wires TX : Pre-wired Ø4.2 2M / 2-wires		M12 plug-in connector type / M12接頭
Weight / 重量	Approx.130g		Approx.35g

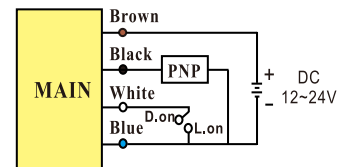
◆ Dimensions / 尺寸圖 :



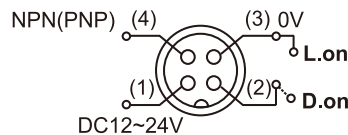
NPN Type



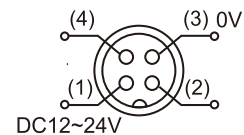
PNP Type



(Receiver/接收)

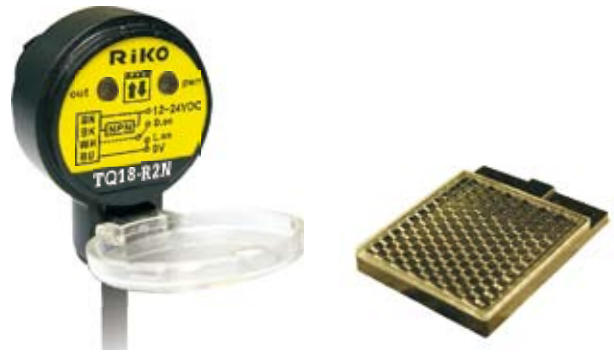


(Emitter/發射)



◆ Characteristics / 特點 :

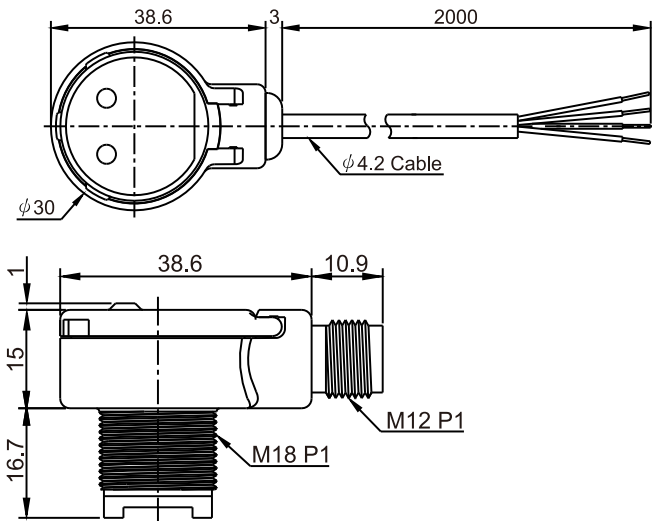
- L.on/D.on Switch function.
/有L.on/D.on兩種輸出型的的選擇.
- Easy to install. / 體積小(30x49.5x32.7mm)安裝容易
- Prevent from water and oil,dust cover attached.
/具有防塵蓋,可防水、防油



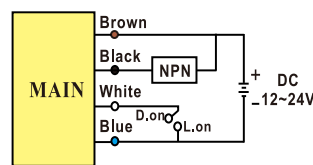
◆ Specifications / 規格表 :

Model / 型號	NPN L.on/D.on	TQ18-R2N	TQ18-R2NK1	TQ18-PR1N	TQ18-PR1NK1
	PNP L.on/D.on	TQ18-R2P	TQ18-R2PK1	TQ18-PR1P	TQ18-PR1PK1
Sensing type / 檢出方式	Retroreflective/鏡片反射式			Polarizing Retroreflective/偏光鏡反射式	
Sensing distance / 檢出距離	2M			1M	
Emitting light / 發光源	Infrared LED 850nm			Red LED 650nm	
Operating voltage / 工作電壓	DC12~24V				
Current Consumption / 消耗電流	34mA Max.				
Load current / 負載電流	100mA Max. at DC24V				
Response time / 反應時間	1.5 ms Max.				
Insulation resistance / 隔離阻抗	20MΩ min. (DC500V)				
Voltage withstandability / 絕緣耐壓	AC1000V 60Hz for 60 Sec.				
Operating temperature/工作溫度	- 20 °C ~ + 60 °C				
Ambient humidity / 工作溼度	35% ~ 85% RH				
Protection degree / 防水等級	IP66				
Material / 外觀材質	ABS				
Wiring method / 出線方式	Pre-wired Ø4.2 x 2M / 4-wires	M12plug-in connector type / M12接頭	Pre-wired Ø4.2 x 2M / 4-wires	M12plug-in connector type / M12接頭	
Weight / 重量	Approx.65g	Approx.18g	Approx.65g	Approx.18g	

◆ Dimensions/尺寸圖 :



NPN Type



PNP Type

