



RiKO

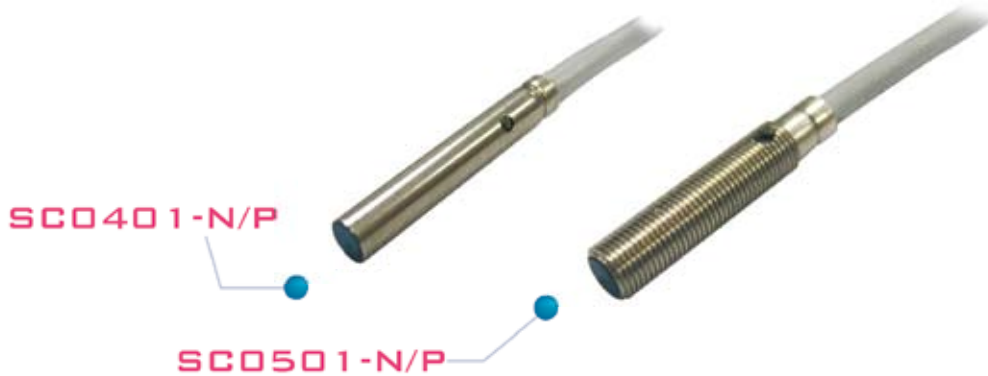
Miniature



Ø4

M5

最小外徑圓形近接開關



Characteristic:

- Small housing, easy to install.
- Max. response speed 2KHz.
- High performance, stable sensing range.
- Protection degree of IP67, humidity environmental resistance.

RN04 series



Characteristic:

- M8 connector, easy to maintain.
- Small size(34x18x18mm), easy to install.
- 2LED, easy to see the action monitor.

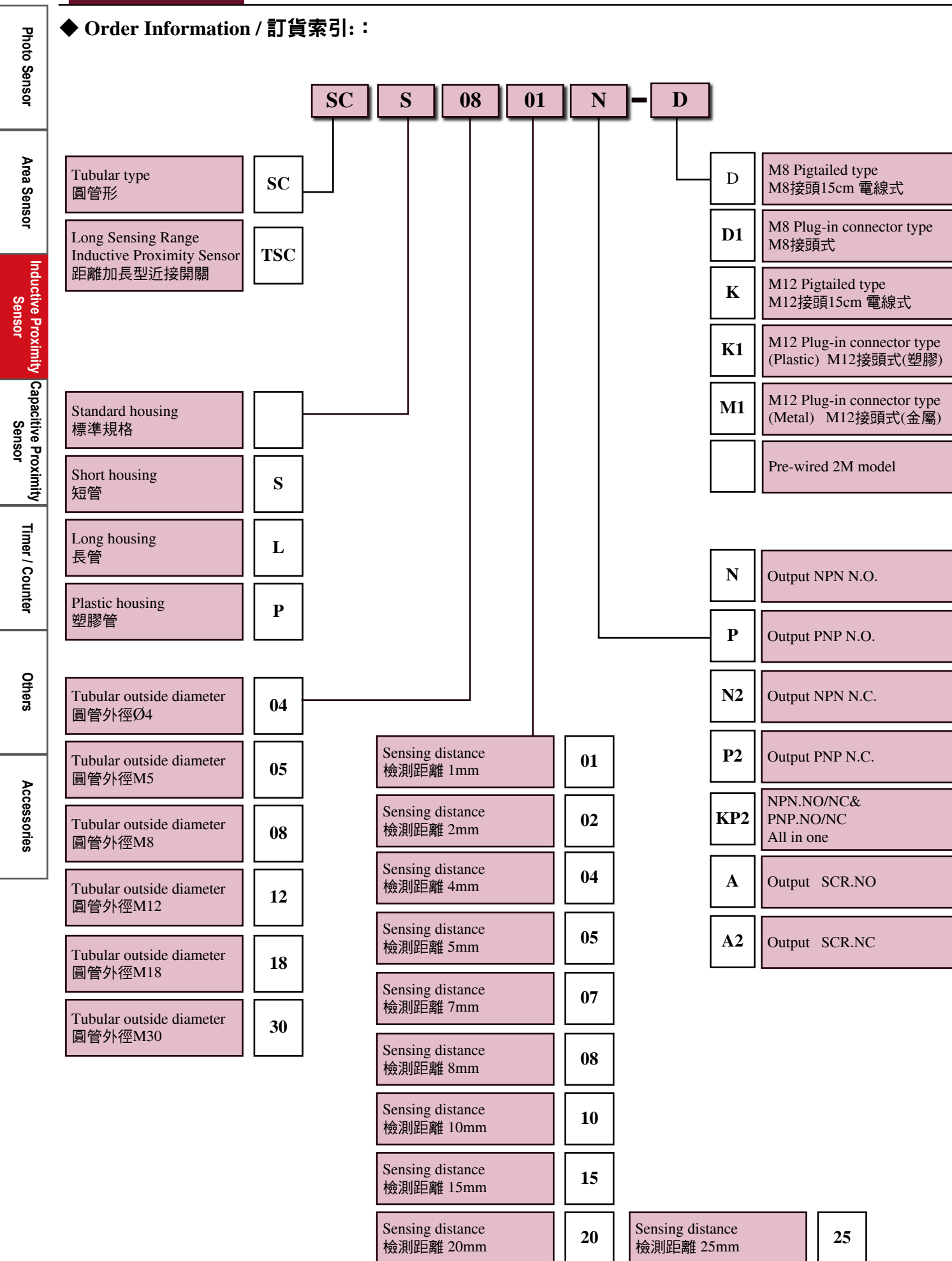
JND02/04 series



Characteristic:

- Small size(32.6x12.5x7.2mm), easy to install.
- Easy check action reaction by two LED.
- Use the fixed ping. Secure the sensor in place.

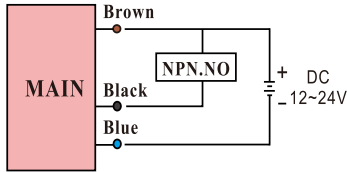
◆ Order Information / 訂貨索引: :



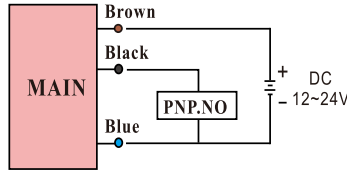
◆ Wiring diagrams / 接線圖 :

• DC versions / 直流接線 :

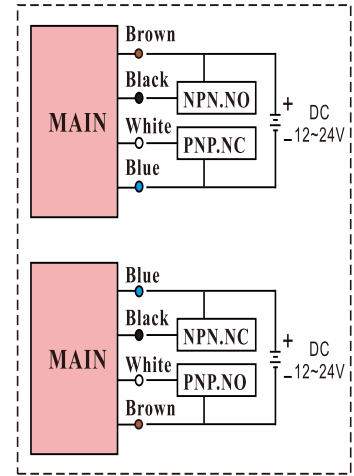
* SC□-N□



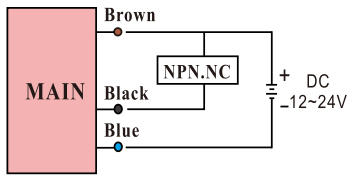
* SC□-P□



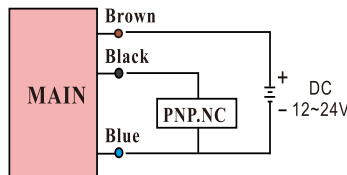
* SC□-KP2□



* SC□-N2□

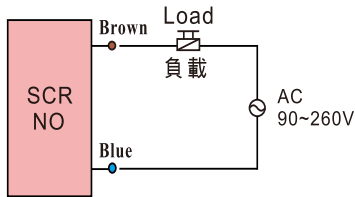


* SC□-P2□

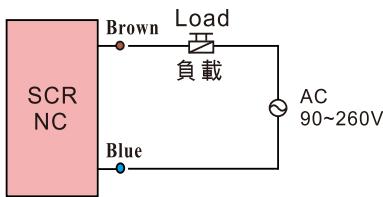


• AC versions / 交流接線 :

SC□-A□



* SC□-A2□



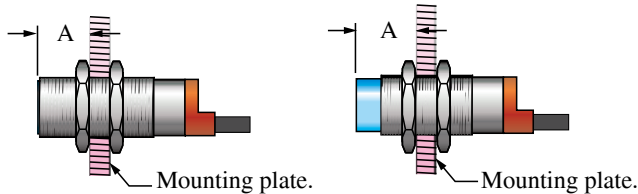
◆ Precautions proper installation / 安裝注意事項 :

• SC/TSC系列

Mounting with nut. / 螺母安裝

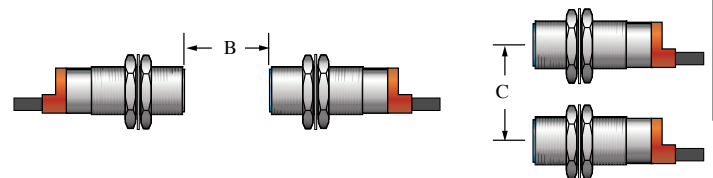
Shielded / 隔離型

Unshielded / 非隔離型



Crosstalk prevention. / 相互干擾

When two sensors are mounted in parallel or face to face, keep the minimum distance (according to the table below) to avoid crosstalk.



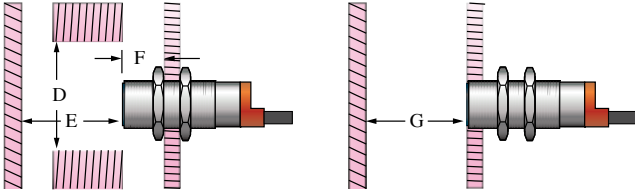
Sensing surface	Model	A (mm)	Tightening torque.
Shielded / 隔離型	SC0801	≥ 0	9Nm
	SC1202	≥ 0	30Nm
	SC1805	≥ 0	70Nm
	SC3010	≥ 0	180Nm
Unshielded / 非隔離型	SC0802	≥ 6	9Nm
	SC1204	≥ 15	30Nm
	SC1808	≥ 22	70Nm
	SC3015	≥ 30	180Nm
	SCP3015	≥ 0	2Nm
	TSC1207	≥ 15	30Nm
	TSC1815	≥ 22	70Nm
	TSC3025	≥ 30	180Nm

Sensing surface	Model	B (mm)	C (mm)
Shielded / 隔離型	SC0801	≥ 20	≥ 15
	SC1202	≥ 30	≥ 20
	SC1805	≥ 50	≥ 35
	SC3010	≥ 100	≥ 70
Unshielded / 非隔離型	SC0802	≥ 80	≥ 60
	SC1204	≥ 120	≥ 100
	SC1808	≥ 200	≥ 110
	SC3015	≥ 300	≥ 200
	SCP3015	≥ 300	≥ 200
	TSC1207	≥ 120	≥ 70
	TSC1815	≥ 200	≥ 120
	TSC3025	≥ 300	≥ 350

Influenced by surrounding metals. / 周圍金屬影響

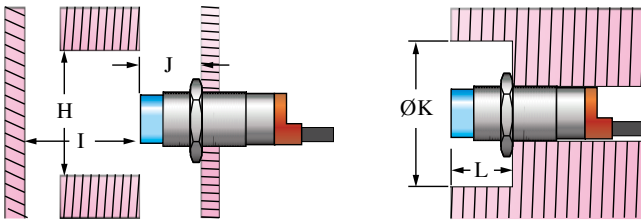
The surrounding metals will influence the sensing performance. Please keep the minimum sensing distance according to the table below.

Shielded / 隔離型



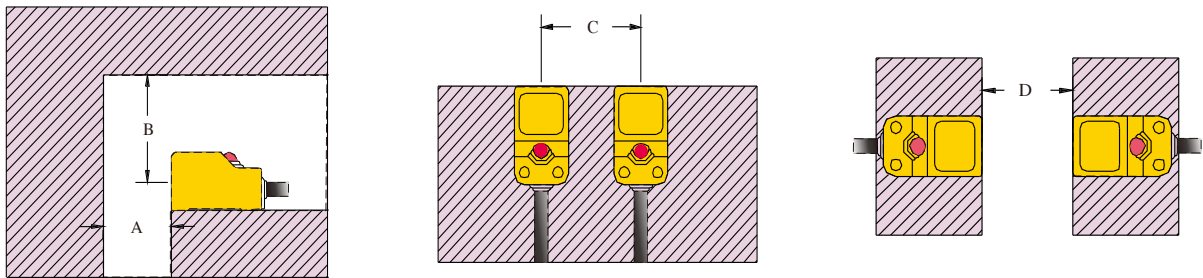
Model	D (mm)	E (mm)	F (mm)	G (mm)
SC0801	≥ 12	≥ 1	≥ 0	≥ 1
SC1202	≥ 18	≥ 2	≥ 0	≥ 2
SC1805	≥ 27	≥ 5	≥ 0	≥ 5
SC3010	≥ 45	≥ 10	≥ 0	≥ 10

Unshielded / 非隔離型



Model	H (mm)	I (mm)	J (mm)	K (mm)	L (mm)
SC0802	≥ 22	≥ 8	≥ 6	≥ 22	≥ 6
SC1204	≥ 36	≥ 20	≥ 15	≥ 40	≥ 15
SC1808	≥ 54	≥ 40	≥ 22	≥ 55	≥ 22
SC3015	≥ 90	≥ 70	≥ 30	≥ 90	≥ 30
SCP3015	≥ 90	≥ 70	≥ 30	≥ 90	≥ 30
TSC1207	≥ 50	≥ 25	≥ 15	≥ 50	≥ 15
TSC1815	≥ 70	≥ 48	≥ 25	≥ 70	≥ 25
TSC3025	≥ 120	≥ 90	≥ 45	≥ 120	≥ 45

• SN/TSN系列



Model	A (mm)	B (mm)	C (mm)	D (mm)
SND04	≥ 15	≥ 20	≥ 30	≥ 30
SN04	≥ 15	≥ 20	≥ 30	≥ 30
SN05	≥ 20	≥ 25	≥ 40	≥ 40
SN10	≥ 40	≥ 30	≥ 60	≥ 60
SN20	≥ 80	≥ 45	≥ 80	≥ 80
TSN18	≥ 72	≥ 54	≥ 180	≥ 180
TSN28	≥ 112	≥ 63	≥ 280	≥ 280

Tubular Inductive Proximity Sensor

Ø4/M5

◆Shape / 外觀：



◆Specifications / 規格表：

Output type 輸出模式	NPN N.O.	SC0401-N	SC0501-N
	NPN N.C	-	-
	PNP N.O.	SC0401-P	SC0501-P
	PNP N.C	-	-
	NPN N.O./N.C. PNP N.O./N.C.	-	-
	SCR N.O	-	-
	SCR N.O	-	-
Sensing surface / 檢測方向	Shielded / 隔離型		
Description / 外型	Standard / 標準Ø4	Standard / 標準M5	
Standard sensing object / 標準檢測物	Iron 4 x 4 x 1mm	Iron 5 x 5 x 1mm	
Sensing distance / 檢出距離	0.8 mm		
Secure sensing distance / 建議距離	0 to 0.5 mm		
Hysteresis / 遲滯	≤ 10 % of sensing distance		
Response time / 反應時間	0.2 ms Max.		
Operating voltage / 工作電壓	DC10 ~ 30 V		
Current consumption / 消耗電流	≤ 10 mA no-load		
Load current / 負載電流	200 mA Max		
Leakage current / 漏電流	≤ 0.1 mA no-load		
Residual voltage / 殘餘電壓	≤ DC 2V 200mA		
Voltage withstandability / 絕緣耐壓	AC1000V 60Hz for 60 Sec.		
Operating temperature / 工作溫度範圍	-25°C ~ +70°C		
Protection degree / 防水等級	IP 67		
Wiring method / 出線方式	Ø3.5 x 2M x 3 wires		
Weight / 重量	Approx. 26g	Approx. 26g	

◆Dimensions / 尺寸圖：

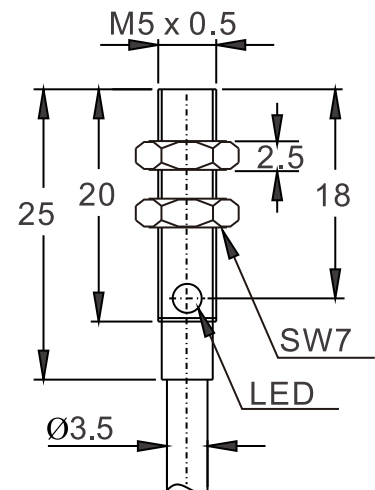
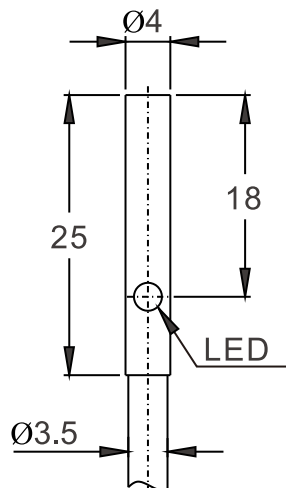


Photo Sensor

Area Sensor

Inductive Proximity Sensor


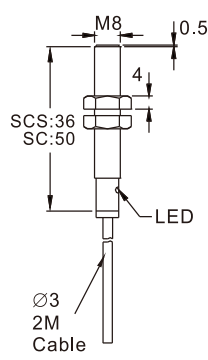
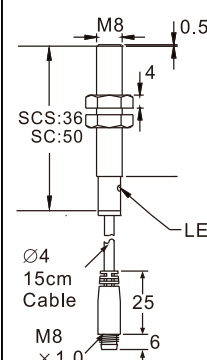
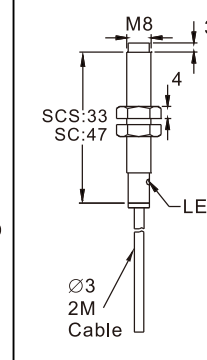
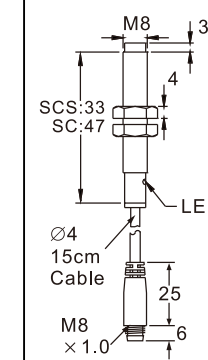
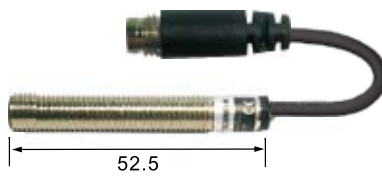

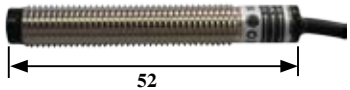
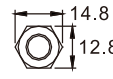

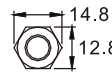

Capacitive Proximity Sensor

Timer / Counter

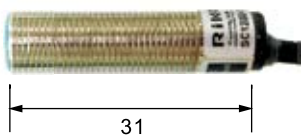
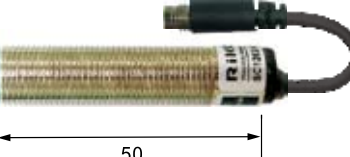

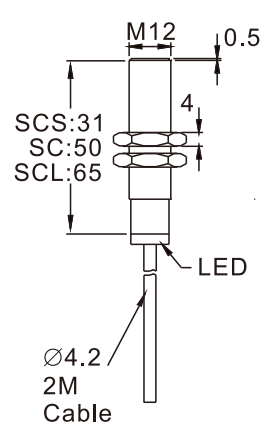
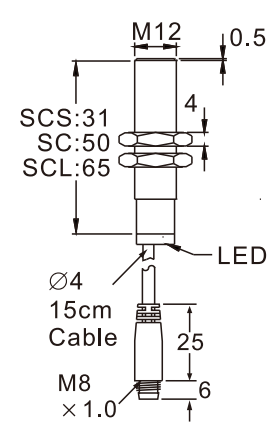
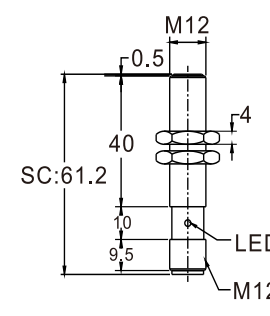
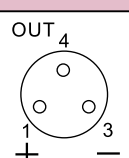
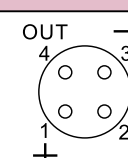
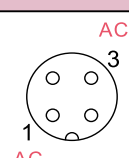
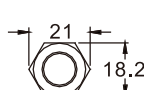
Others

Accessories

◆Specifications / 規格表 :

Photo Sensor	SCS0801-□ 				
Area Sensor	SC0801-□D 				
Inductive Proximity Sensor	SCS0802-□ 				
Capacitive Proximity Sensor	SC0802-□ 				
Timer / Counter	<unit:mm>	<unit:mm>	<unit:mm>	<unit:mm>	<unit:mm>
Others	Output method / 輸出模式				
Accessories	NPN N.O.	SC□0801-N	SC□0801-ND	SC□0802-N	SC□0802-ND
	NPN N.C.	SC□0801-N2	SC□0801-N2D	SC□0802-N2	SC□0802-N2D
	PNP N.O.	SC□0801-P	SC□0801-PD	SC□0802-P	SC□0802-PD
	PNP N.C.	SC□0801-P2	SC□0801-P2D	SC□0802-P2	SC□0802-P2D
	NPN N.O./N.C. PNP N.O./N.C.	-	-	-	-
	SCR N.O.	-	-	-	-
	SCR N.C.	-	-	-	-
	Sensing type / 檢出方式	Shielded / 隔離型		Unshielded / 非隔離型	
	Description / 外型	Standard / 標準M8			
	Standard sensing object / 標準檢測物	Iron 8 × 8 × 1 mm			
	Sensing distance / 檢出距離	1 mm		2 mm	
	Secure sensing distance / 建議距離	0 to 0.8 mm		0 to 1.6 mm	
	Hysteresis / 遲滯	≤ 10 % of sensing distance			
	Response time / 反應時間	1 ms Max.			
	Operating voltage / 工作電壓	DC12 ~ 24 V			
Current consumption / 消耗電流	≤ 8 mA no-load				
Load current / 負載電流	100 mA Max at DC 24V				
Leakage current / 漏電流	≤ 1.1 mA no-load				
Residual voltage / 殘餘電壓	≤ DC 1.5V				
Insulation resistance / 隔離阻抗	20MΩ min. (DC500V)				
Voltage withstandability / 絕緣耐壓	AC1000V 60Hz for 60 Sec.				
Operating temperature / 工作溫度	-20°C ~ + 60°C				
Protection degree / 防水等級	IP 66				
Wiring method / 出線方式	Pre-wired Ø3 x 2M / 3-wires	M8 pigtailed type / M8接頭15cm電線式	Pre-wired Ø3 x 2M / 3-wires	M8 pigtailed type / M8接頭15cm電線式	
Weight / 重量	Approx.30g	Approx.12g	Approx.30g	Approx.12g	

◆Specifications / 規格表 :

<p>SCS1202-□</p>  <p>31</p> <p>SC1202-□D</p>  <p>50</p> <p>SC1202-□M1</p>  <p>57</p> <p style="text-align: center;"><unit:mm></p>	 <p>SCS:31 SC:50 SCL:65</p> <p>M12 0.5</p> <p>4</p> <p>LED</p> <p>Ø4.2 2M Cable</p>	 <p>SCS:31 SC:50 SCL:65</p> <p>M12 0.5</p> <p>4</p> <p>LED</p> <p>Ø4 15cm Cable</p> <p>M8 × 1.0</p> <p>25</p> <p>6</p>	 <p>M12</p> <p>0.5</p> <p>40</p> <p>4</p> <p>LED</p> <p>10</p> <p>9.5</p> <p>SC:61.2</p>
	-□D	-□M1	-□A
	 <p>OUT 4</p> <p>1 3</p> <p>+</p> <p>-</p>	 <p>OUT 4</p> <p>3</p> <p>1 2</p> <p>+</p> <p>-</p>	 <p>AC 3</p> <p>1</p> <p>AC</p>
		 <p>21</p> <p>18.2</p>	

Output method / 輸出模式	NPN N.O.	SC□1202-N	SC□1202-ND	SC1202-NM1
	NPN N.C.	SC□1202-N2	SC□1202-N2D	SC1202-N2M1
	PNP N.O.	SC□1202-P	SC□1202-PD	SC1202-PM1
	PNP N.C.	SC□1202-P2	SC□1202-P2D	SC1202-P2M1
	NPN N.O./N.C. PNP N.O./N.C.	SC1202-KP2	-	-
	SCR N.O.	SC1202-A	-	-
	SCR N.C.	SC1202-A2	-	-

Sensing type / 檢出方式	Shielded / 隔離型		
Description / 外型	Standard / 標準M12		
Standard sensing object / 標準檢測物	Iron 12 x 12 x 1 mm		
Sensing distance / 檢出距離	2 mm		
Secure sensing distance / 建議距離	0 to 1.6 mm		
Hysteresis / 遲滯	≤ 10 % of sensing distance		
Response time / 反應時間	DC Type 1 ms Max. or AC Type 50ms		
Operating voltage / 工作電壓	DC 12 ~ 24V or AC90 ~ 260 V		
Current consumption / 消耗電流	DC : ≤ 8 mA no-load or AC : 2 mA Max		
Load current / 負載電流	DC : 100 mA Max at DC 24V or AC : 5 ~ 300 mA Max		
Leakage current / 漏電流	≤ 1.1 mA no-load		
Residual voltage / 殘餘電壓	≤ DC 1.5V		
Insulation resistance / 隔離阻抗	20MΩ min. (DC500V)		
Voltage withstandability / 絕緣耐壓	AC1000V 60Hz for 60Sec.		
Operating temperature / 工作溫度	-20°C ~ + 60°C		
Protection degree / 防水等級	IP 66		
Wiring method / 出線方式	N/P : Ø4.2x 2M / 3-wires KP2 : Ø4.2x2M / 4-wires AC : Ø4.2x2M / 2-wires	M8 pigtailed type / M8 接頭15cm電線式	M12 plug-in connector type / M12 接頭

Photo Sensor

Area Sensor

Inductive Proximity Sensor


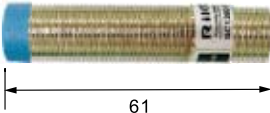
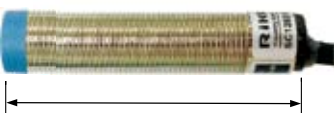
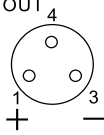
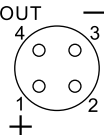
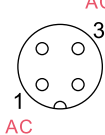
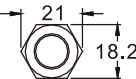
Capacitive Proximity Sensor

Timer / Counter

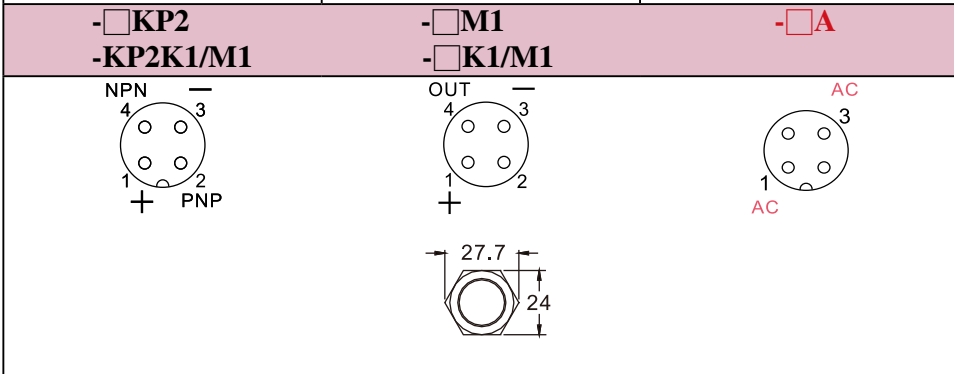
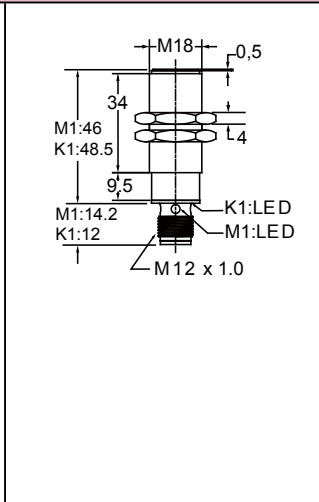
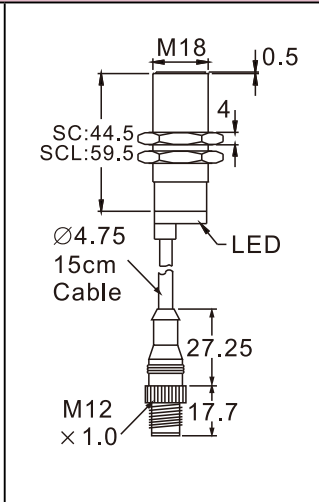
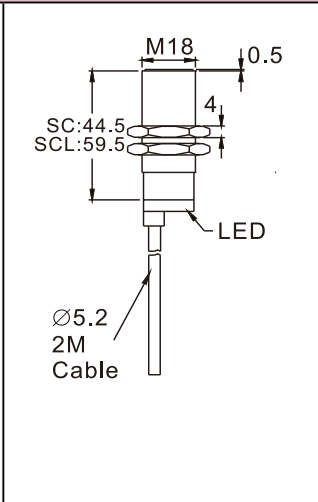
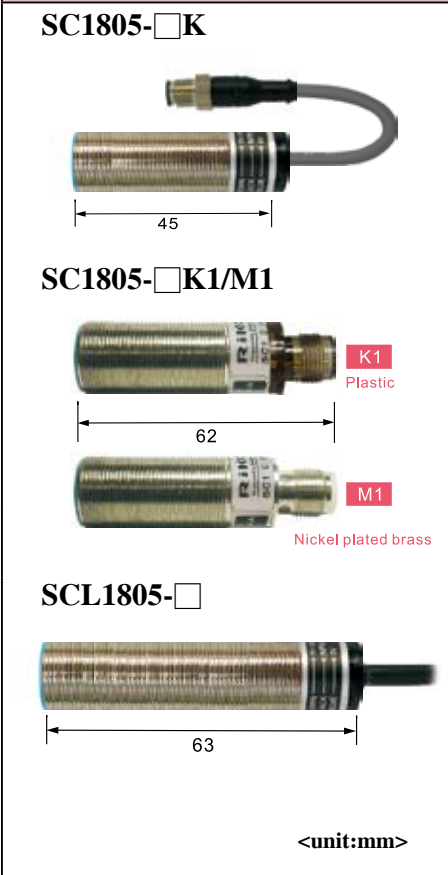
Others

Accessories

◆ Specifications / 規格表 :

Photo Sensor	SCS1204-□D				
					
	34.5				
Area Sensor	SC1204-□M1				
					
	61				
Inductive Proximity Sensor	SCL1204-□				
					
	72.5				
Capacitive Proximity Sensor					
Timer / Counter					
<unit:mm>					
		-□D	-□M1	-□A	
					
					
Others	Output method / 輸出模式	NPN N.O.	SC□1204-N	SC□1204-ND	SC1204-NM1
		NPN N.C.	SC□1204-N2	SC□1204-N2D	SC1204-N2M1
		PNP N.O.	SC□1204-P	SC□1204-PD	SC1204-PM1
		PNP N.C.	SC□1204-P2	SC□1204-P2D	SC1204-P2M1
		NPN N.O./N.C. PNP N.O./N.C.	SC1204-KP2	-	-
		SCR N.O.	SC1204-A	-	-
		SCR N.C.	SC1204-A2	-	-
Accessories	Sensing type / 檢出方式		Unshielded / 非隔離型		
	Description / 外型		Standard / 標準M12		
	Standard sensing object / 標準檢測物		Iron 12 × 12 × 1 mm		
	Sensing distance / 檢出距離		4 mm		
	Secure sensing distance / 建議距離		0 to 3.2 mm		
	Hysteresis / 遲滯		≤ 10 % of sensing distance		
	Response time / 反應時間		DC Type 2 ms Max. or AC Type 50ms		
	Operating voltage / 工作電壓		DC 12 ~ 24V or AC 90 ~ 260V		
	Current consumption / 消耗電流		DC : ≤ 8 mA no-load or AC : 2 mA Max		
	Load current / 負載電流		DC : 100 mA Max at DC 24V or AC : 5 ~ 300 mA Max		
	Leakage current / 漏電流		≤ 1.1 mA no-load		
	Residual voltage / 殘餘電壓		≤ DC 1.5V		
	Insulation resistance / 隔離阻抗		20M Ω min. (DC500V)		
	Voltage withstandability / 絕緣耐壓		AC1000V 60Hz for 60 Sec.		
	Operating temperature / 工作溫度		-20°C ~ + 60°C		
	Protection degree / 防水等級		IP 66		
	Wiring method / 出線方式		N/P : Ø4.2x 2M / 3-wires KP2 : Ø4.2x2M / 4-wires AC : Ø4.2x2M / 2-wires	M8 pigtailed type / M8 接頭15cm電線式	M12 plug-in connector type / M12 接頭
Weight / 重量	SC	Approx. 65g	Approx. 15g	Approx. 20g	
	SCL	Approx. 70g	Approx. 20g	Approx. 25g	
	SCS	Approx. 60g	Approx. 15g	Approx. 20g	

◆Specifications / 規格表 :



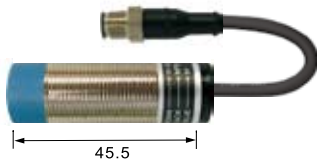
Output method / 輸出模式	NPN N.O.	SC□1805-N	SC□1805-NK	SC1805-NK1/NM1
	NPN N.C.	SC□1805-N2	SC□1805-N2K	SC1805-N2K1/N2M1
	PNP N.O.	SC□1805-P	SC□1805-PK	SC1805-PK1/PM1
	PNP N.C.	SC□1805-P2	SC□1805-P2K	SC1805-P2K1/P2M1
	NPN N.O./N.C. PNP N.O./N.C.	SC1805-KP2	SC1805-KP2K	-
	SCR N.O.	SC1805-A	SC1805-AK	-
	SCR N.C.	SC1805-A2	SC1805-A2K	-

Sensing type / 檢出方式		Shielded / 隔離型		
Description / 外型		Standard / 標準M18		
Standard sensing object / 標準檢測物		Iron 18 x 18 x 1 mm		
Sensing distance / 檢出距離		5 mm		
Secure sensing distance / 建議距離		0 to 4.0 mm		
Hysteresis / 遲滯		≤ 10 % of sensing distance		
Response time / 反應時間		DC Type 2 ms Max. or AC Type 50ms		
Operating voltage / 工作電壓		DC 12 ~ 24V or AC 90 ~ 260V		
Current consumption / 消耗電流		DC : ≤ 8 mA no-load or AC : 2 mA Max		
Load current / 負載電流		DC : 100 mA Max at DC 24V or AC : 5 ~ 300 mA Max		
Leakage current / 漏電流		≤ 1.1 mA no-load		
Residual voltage / 殘餘電壓		≤ DC 1.5V		
Insulation resistance / 隔離阻抗		20MΩ min. (DC500V)		
Voltage withstandability / 絕緣耐壓		AC1000V 60Hz for 60 Sec.		
Operating temperature / 工作溫度		-20°C ~ + 60°C		
Protection degree / 防水等級		IP 66		
Wiring method / 出線方式		N/P : Ø5.2x 2M / 3-wires KP2 : Ø5.2x2M / 4-wires AC : Ø5.2x2M / 2-wires	M12 pigtailed type / M12 接頭15cm 電線式	M12 plug-in connector type / M12 接頭
Weight / 重量	SC	Approx. 96g	Approx. 35g	K1:Approx.30g/M1:Approx. 35g
	SCL	Approx. 116g	Approx. 55g	K1:Approx.50g/M1:Approx. 55g

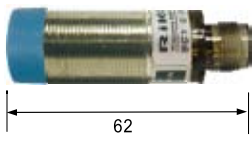
Photo Sensor
Area Sensor
Inductive Proximity Sensor
Capacitive Proximity Sensor
Timer / Counter
Others
Accessories

◆ Specifications / 規格表 :

SC1808-□K



SC1808-□K1/M1

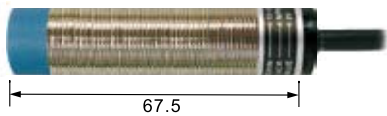


K1
Plastic

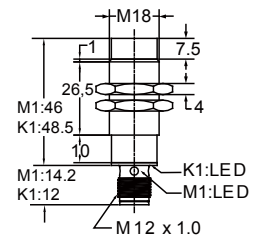
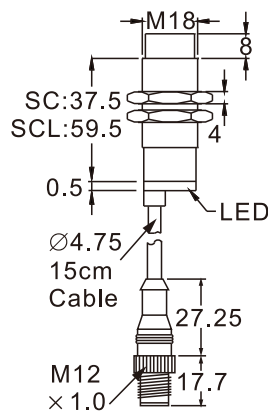
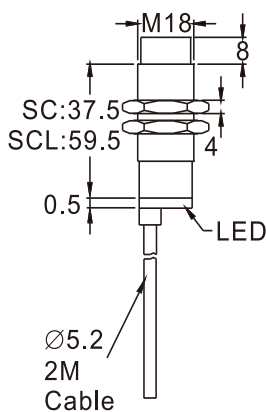


M1
Nickel plated brass

SCL1808-□



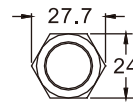
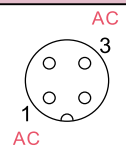
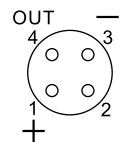
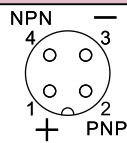
<unit:mm>



-KP2
-KP2K1/M1

-□M1
-□K1/M1

-□A



Output method 輸出模式	NPN N.O.	SC□1808-N	SC□1808-NK	SC1808-NK1/M1
	NPN N.C.	SC□1808-N2	SC□1808-N2K	SC1808-N2K1/M1
	PNP N.O.	SC□1808-P	SC□1808-PK	SC1808-PK1/M1
	PNP N.C.	SC□1808-P2	SC□1808-P2K	SC1808-P2K1/M1
	NPN N.O./N.C. PNP N.O./N.C.	SC1808-KP2	SC1808-KP2K	-
	SCR N.O.	SC1808-A	SC1808-AK	-
	SCR N.C.	SC1808-A2	SC1808-A2K	-

Sensing type / 檢出方式		Unshielded / 非隔離型		
Description / 外型		Standard / 標準M18		
Sensing distance / 檢出距離		8 mm		
Secure sensing distance / 建議距離		0 to 6.4 mm		
Hysteresis / 遲滯		≤ 10 % of sensing distance		
Response time / 反應時間		DC Type 2 ms Max. or AC Type 50ms		
Operating voltage / 工作電壓		DC 12 ~ 24V or AC 90 ~ 260V		
Current consumption / 消耗電流		DC : ≤ 8 mA no-load / AC : 2 mA Max.		
Load current / 負載電流		DC : 100 mA Max at DC 24V or AC : 5 ~ 300 mA Max		
Leakage current / 漏電流		≤ 1.1 mA no-load		
Residual voltage / 殘餘電壓		≤ DC 1.5V		
Insulation resistance / 隔離阻抗		20M Ω min. (DC500V)		
Voltage withstandability / 絕緣耐壓		AC1000V 60Hz for 60 Sec.		
Operating temperature / 工作溫度		-20°C ~ + 60°C		
Protection degree / 防水等級		IP 66		
Wiring method / 出線方式		N/P : Ø5.2x 2M / 3-wires KP2 : Ø5.2x2M / 4-wires AC : Ø5.2x2M / 2-wires	M12 pigtailed type / M12 接頭15cm 電線式	M12 plug-in connector type / M12 接頭
Weight / 重量	SC	Approx. 90g	Approx. 30g	K1:Approx.25g\M1:Approx. 30g
	SCL	Approx. 115g	Approx. 55g	K1:Approx.50g\M1:Approx. 55g

◆ Specifications / 規格表 :

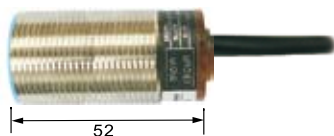
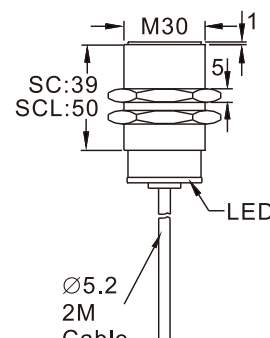
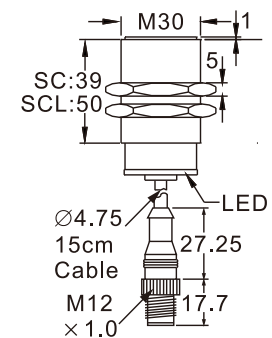
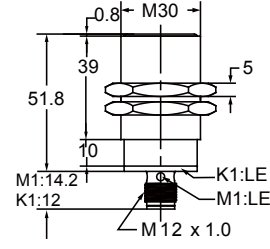
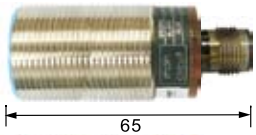

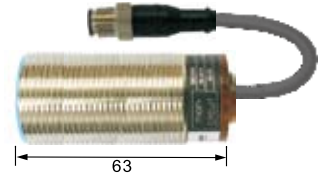
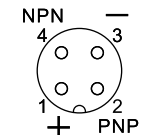
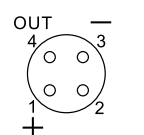
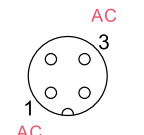
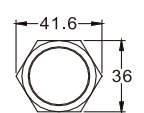
SC3010-□  <p>52</p>		 <p>M30 SC:39 SCL:50 LED Ø5.2 2M Cable</p>		 <p>M30 SC:39 SCL:50 LED Ø4.75 15cm Cable M12 × 1.0 27.25 17.7</p>		 <p>0.8 M30 39 51.8 10 M1:14.2 K1:12 K1:LED M1:LED M12 x 1.0</p>	
SC3010-□K1/M1  <p>65</p> <p>K1 Plastic</p>  <p>M1 Nickel plated brass</p>		-KP2 -KP2K1/M1		-□M1 -□K1/M1		-□A	
SCL3010-□K  <p>63</p> <p><unit:mm></p>		 <p>NPN 4 3 1 2 + PNP</p>		 <p>OUT 4 3 1 2 +</p>		 <p>AC 4 3 1 2 AC</p>	
		 <p>41.6 36</p>					
Output method 輸出模式	NPN N.O.	SC□3010-N	SC□3010-NK	SC3010-NK1/M1			
	NPN N.C.	SC□3010-N2	SC□3010-N2K	SC3010-N2K1/M1			
	PNP N.O.	SC□3010-P	SC□3010-PK	SC3010-PK1/M1			
	PNP N.C.	SC□3010-P2	SC□3010-P2K	SC3010-P2K1/M1			
	NPN N.O./N.C. PNP N.O./N.C.	SC3010-KP2	SC3010-KP2K	-			
	SCR N.O.	SC3010-A	SC3010-AK	-			
	SCR N.C.	SC3010-A2	SC3010-A2K	-			
Sensing type / 檢出方式		Shielded / 隔離型					
Description / 外型		Standard / 標準M30					
Standard sensing object / 標準檢測物		Iron 30 x 30 x 1 mm					
Sensing distance / 檢出距離		10 mm					
Secure sensing distance / 建議距離		0 to 8 mm					
Hysteresis / 遲滯		≤ 10 % of sensing distance					
Response time / 反應時間		DC Type 3.3 ms Max. or AC Type 50ms					
Operating voltage / 工作電壓		DC 12 ~ 24V or AC 90 ~ 260V					
Current consumption / 消耗電流		DC : ≤ 8 mA no-load or AC : 2 mA Max.					
Load current / 負載電流		DC : 100 mA Max at DC 24V or AC : 5 ~ 300 mA Max					
Leakage current / 漏電流		≤ 1.1 mA no-load					
Residual voltage / 殘餘電壓		≤ DC 1.5V					
Insulation resistance / 隔離阻抗		20M Ω min. (DC500V)					
Voltage withstandability / 絕緣耐壓		AC1000V 60Hz for 60 Sec.					
Operating temperature / 工作溫度		-20°C ~ + 60°C					
Protection degree / 防水等級		IP 66					
Wiring method / 出線方式		N/P : Ø5.2x 2M / 3-wires (KP2 : Ø5.2x2M / 4-wires) AC : Ø5.2x 2M / 2-wires	M12 pigtailed type / M12 接頭15cm 電線式	M12 plug-in connector type / M12 接頭			
Weight / 重量	SC	Approx. 145g	Approx. 90g	K1:Approx.80g/M1:Approx.100g			
	SCL	Approx. 165g	Approx. 110g	K1:Approx.100g/M1:Approx. 120g			

Photo Sensor

Area Sensor

Inductive Proximity Sensor

Capacitive Proximity Sensor

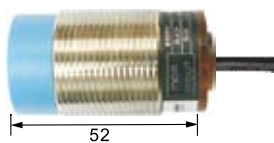
Timer / Counter

Others

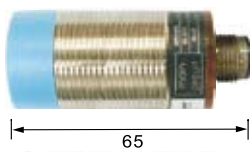
Accessories

◆ Specifications / 規格表 :

SC3015-□



SC3015-□K1/M1

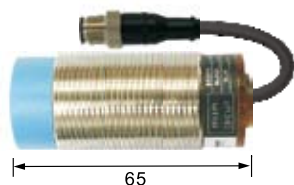


K1
Plastic

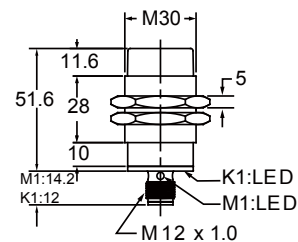
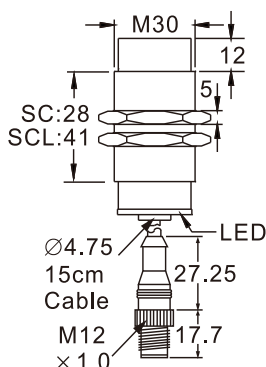
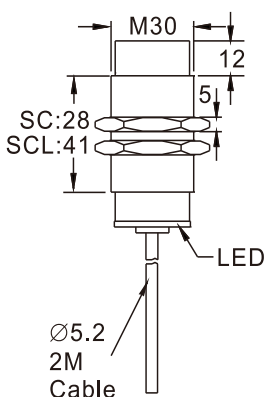


M1
Nickel plated brass

SCL3015-□K



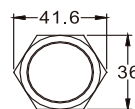
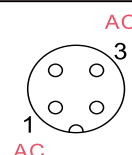
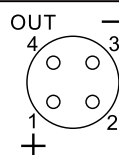
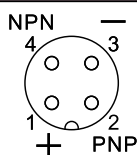
<unit:mm>



-KP2
-KP2K1/M1

-□M1
-□K1/M1

-□A

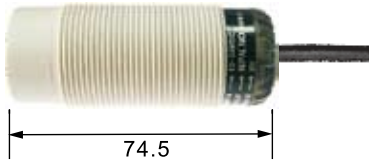


Output method 輸出模式	NPN N.O.	SC□3015-N	SC□3015-NK	SC3015-NK1/M1
	NPN N.C.	SC□3015-N2	SC□3015-N2K	SC3015-N2K1/M1
	PNP N.O.	SC□3015-P	SC□3015-PK	SC3015-PK1/M1
	PNP N.C.	SC□3015-P2	SC□3015-P2K	SC3015-P2K1/M1
	NPN N.O./N.C. PNP N.O./N.C.	SC3015-KP2	SC3015-KP2K	-
	SCR N.O.	SC3015-A	SC3015-AK	-
	SCR N.C.	SC3015-A2	SC3015-A2K	-

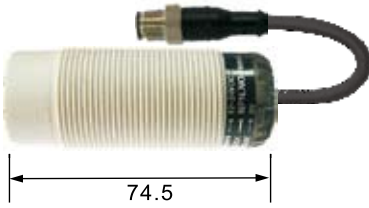
Sensing type / 檢出方式		Unshielded / 非隔離型		
Description / 外型		Standard / 標準M30		
Standard sensing object / 標準檢測物		Iron 30 x 30 x 1 mm		
Sensing distance / 檢出距離		15 mm		
Secure sensing distance / 建議距離		0 ~ 12 mm		
Hysteresis / 滯滯		≤ 10 % of sensing distance		
Response time / 反應時間		DC Type 3.3 ms Max. or AC Type 100ms		
Operating voltage / 工作電壓		DC 12 ~ 24V or AC 90 ~ 260V		
Current consumption / 消耗電流		DC : ≤ 8 mA no-load or AC : 2 mA Max.		
Load current / 負載電流		DC : 100 mA Max at DC 24V or AC : 5 ~ 300 mA Max		
Leakage current / 漏電流		≤ 1.1 mA no-load		
Residual voltage / 殘餘電壓		≤ DC 1.5V		
Insulation resistance / 隔離阻抗		20M Ω min. (DC500V)		
Voltage withstandability / 絕緣耐壓		AC1000V 60Hz for 60 Sec.		
Operating temperature / 工作溫度		-20°C ~ +60°C		
Protection degree / 防水等級		IP 66		
Wiring method / 出線方式		N/P : Ø5.2x 2M / 3-wires (KP2 : Ø5.2x2M / 4-wires) AC : Ø5.2x 2M / 2-wires	M12 pigtailed type / M12 接頭15cm 電線式	M12 plug-in connector type / M12 接頭
Weight / 重量	SC	Approx. 135g	Approx. 80g	K1:Approx.70g\M1:Approx. 90g
	SCL	Approx. 170g	Approx. 115g	K1:Approx.105g\M1:Approx. 125g

◆Specifications / 規格表 :

SCP3015-□



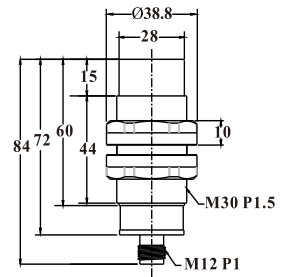
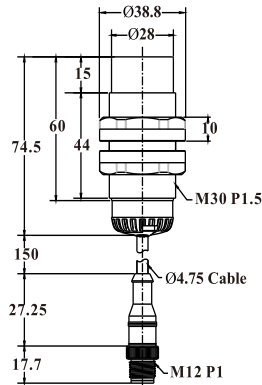
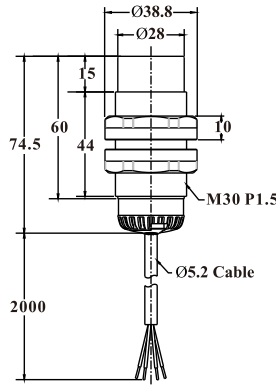
SCP3015-□K



SCP3015-□K1

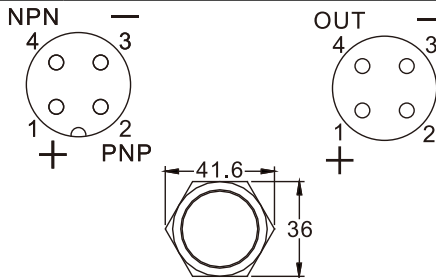


<unit:mm>



-KP2
-KP2K1

-□K1
-□K1



Output method 輸出模式	NPN N.O.	SCP3015-N	SCP3015-NK	SCP3015-NK1
	NPN N.C.	SCP3015-N2	SCP3015-N2K	SCP3015-N2K1
	PNP N.O.	SCP3015-P	SCP3015-PK	SCP3015-PK1
	PNP N.C.	SCP3015-P2	SCP3015-P2K	SCP3015-P2K1
	NPN N.O./N.C. PNP N.O./N.C.	SCP3015-KP2	SCP3015-KP2K	-
	SCR N.O.	-	-	-
	SCR N.C.	-	-	-
Sensing type / 檢出方式	Unshielded / 非隔離型			
Description / 外型	Standard / 標準M30			
Standard sensing object / 標準檢測物	Iron 30 x 30 x 1 mm			
Sensing distance / 檢出距離	15 mm			
Secure sensing distance / 建議距離	0 to 12 mm			
Hysteresis / 遲滯	≤ 10 % of sensing distance			
Response time / 反應時間	3.3ms Max.			
Operating voltage / 工作電壓	DC 12 ~ 24V			
Current consumption / 消耗電流	≤ 30 mA no-load			
Load current / 負載電流	100 mA Max at DC 24V			
Leakage current / 漏電流	≤ 1.1 mA no-load			
Residual voltage / 殘餘電壓	≤ DC 1.5V			
Insulation resistance / 隔離阻抗	20M Ω min. (DC500V)			
Voltage withstandability / 絕緣耐壓	AC1000V 60Hz for 60 Sec.			
Operating temperature / 工作溫度	-20°C ~ + 60°C			
Protection degree / 防水等級	IP 67			
Wiring method / 出線方式	N/P : Ø5.2x 2M / 3-wire (KP2 : Ø5.2x2M / 4-wire)	M12 pigtailed type / M12 接頭15cm 電線式	M12 plug-in connector type / M12 接頭	
Weight / 重量	Approx.120g	Approx.55g	Approx.50g	

Photo Sensor

Area Sensor

Inductive Proximity
Sensor

Capacitive Proximity
Sensor

Timer / Counter

Others

Accessories