

Photo Sensor

Area Sensor

Inductive Proximity Sensor

Capacitive Proximity Sensor

Timer / Counter

Others

Accessories

◆ Characteristics / 特點 :

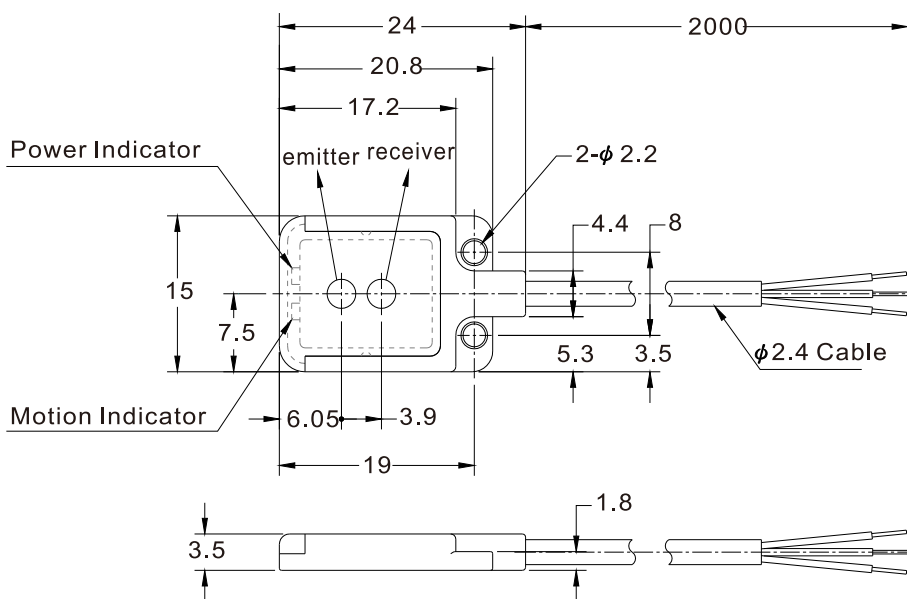
- Ultra slim body(only 3.5mm thickness). Easy to be mounted.
/體積薄(3.5mm)，容易安裝。
- Built-in amplifier, supply voltage DC 12 to 24V. To Control output directly.
/供應電源12-24V，內藏放大器，直接控制輸出。
- Transistor output 100mA.
/晶體輸出100mA。



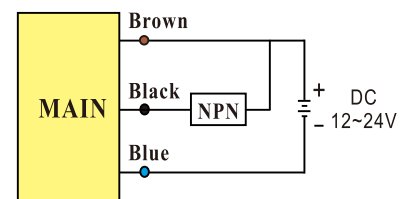
◆ Specifications / 規格表 :

Model / 型號	PK5-DU03N	PK5-DU03N2	PK5-DU03P	PK5-DU03P2
Sensing type / 檢出方式	Diffuse reflection / 擴散反射式			
Sensing distance / 檢出距離	3 cm			
Emitting light / 發光源	Red LED 632 nm			
Operating voltage / 工作電壓	DC12 ~ 24 V±10% (Ripple P-P : 10% Max.)			
Current Consumption / 消耗電流	15 mA Max.			
Load current / 負載電流	100mA Max. at DC24V			
Output type / 輸出模式	NPN L.on	NPN D.on	PNP L.on	PNP D.on
Protection circuit / 保護電路	Reversed supply circuit protection, short circuit protection output 電源反接保護及輸出短路保護			
Response time / 反應時間	0.5 ms Max.			
Insulation resistance / 隔離阻抗	20MΩ min. (DC500V)			
Voltage withstandability / 絕緣耐壓	AC1000V 60Hz for 60 Sec.			
Operating temperature / 工作時溫度	-10°C ~ + 45°C (No freezing allowed不可結霜,結冰)			
Ambient humidity / 工作時溼度	35% ~ 85% RH 相對溼度			
Storage temperature / 儲存時溫度	-10°C ~ + 55°C (No freezing allowed不可結霜,結冰)			
Storage humidity / 儲存時溼度	35% ~ 95% RH 相對溼度			
Protection degree / 防水等級	IP64			
Material / 外觀材質	ABS			
Wiring method / 出線方式	Ø2.4 x 2 M / 3-wires			
Weight / 重量	Approx.20g			

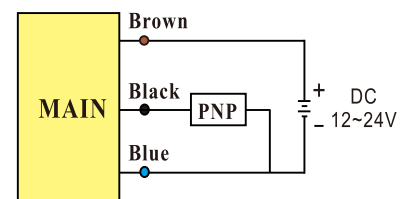
◆ Dimensions / 尺寸圖 :



NPN Type



PNP Type



Micro-sized Flat Photo Sensor

PK5

◆Characteristics / 特點：

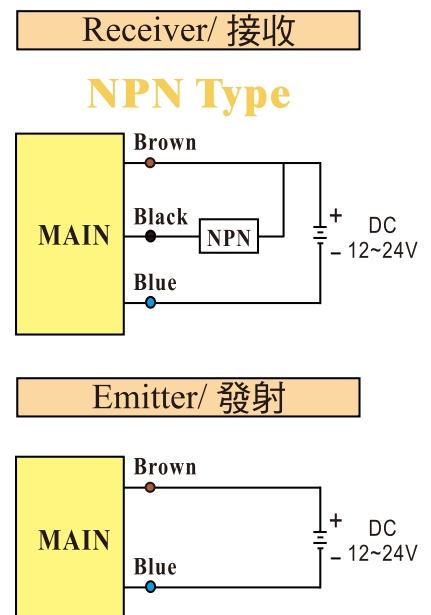
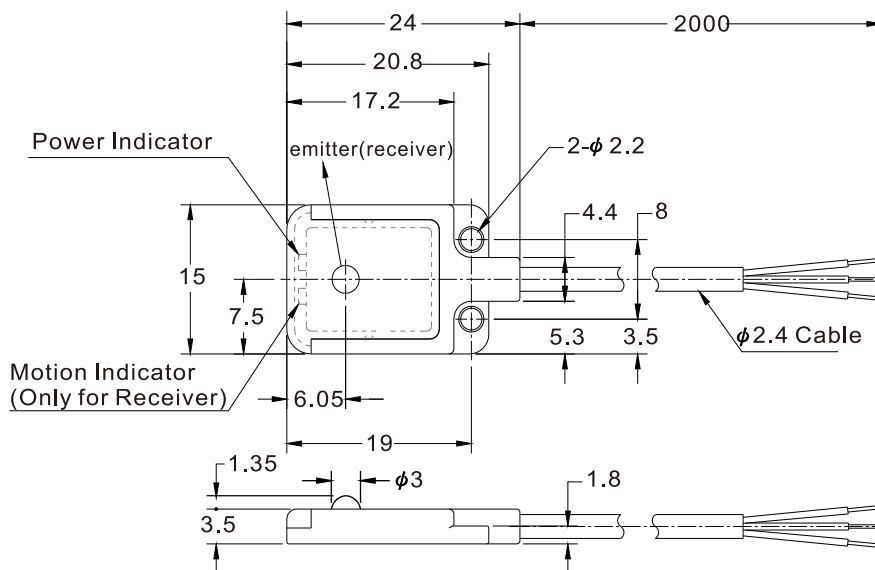
- Ultra slim body(only 3.5mm thickness). Easy to be mounted.
/體積薄(3.5mm)，容易安裝。
- Visible dual LED indicators.
/清晰易見的雙LED指示燈。
- High-speed response time : 0.5ms.
/高速反應0.5ms。



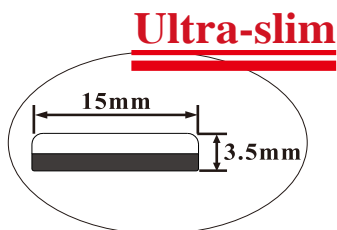
◆Specifications / 規格表：

Model / 型號	PK5-1N	PK5-1N2	PK5-1P	PK5-1P2
Sensing type / 檢出方式	Through beam / 對照式			
Sensing distance / 檢出距離	1M			
Emitting light / 發光源	Infrared LED 940nm			
Operating voltage / 工作電壓	DC12 ~ 24 V±10% (Ripple P-P : 10% Max)			
Current Consumption / 消耗電流	15 mA Max.			
Load current / 負載電流	100mA Max. at DC24V			
Output type / 輸出模式	NPN D.on	NPN L.on	PNP D.on	PNP L.on
Protection circuit / 保護電路	Reversed supply circuit protection, short circuit protection output 電源反接保護及輸出短路保護			
Response time / 反應時間	0.5 ms Max.			
Insulation resistance / 隔離阻抗	20MΩ min. (DC500V)			
Voltage withstandability / 絕緣耐壓	AC1000V 60Hz for 60 Sec.			
Operating temperature / 工作時溫度	-10°C ~ +45°C (No freezing allowed不可結霜,結冰)			
Ambient humidity / 工作時溼度	35% ~ 85% RH 相對溼度			
Storage temperature / 儲存時溫度	-10°C ~ +55°C (No freezing allowed不可結霜,結冰)			
Storage humidity / 儲存時溼度	35% ~ 95% RH 相對溼度			
Protection degree / 防水等級	IP64			
Material / 外觀材質	ABS			
Wiring method / 出線方式	RX:Pre-wired / Ø2.4x2 M 3-wires		TX:Pre-wired / Ø2.4x2 M 2-wires	
Weight / 重量	Approx.40g			

◆Dimensions/尺寸圖：



◆ Microminiature body with 3.5mm thickness only. ◆ Visible LED indicators.

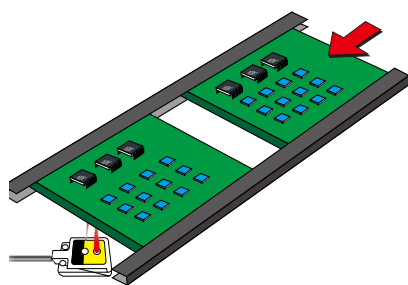


Dual LED indicators.
Green : Power indicator.
Red : Motion indicator.

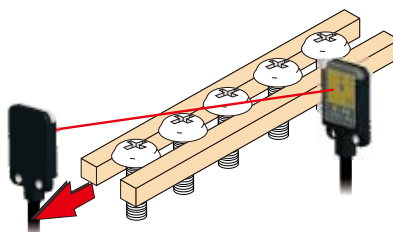


◆ Application / 應用例

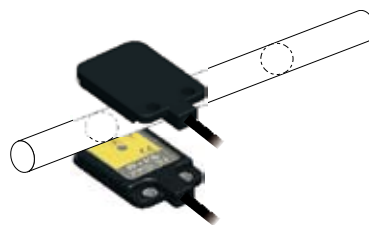
PCB detection.



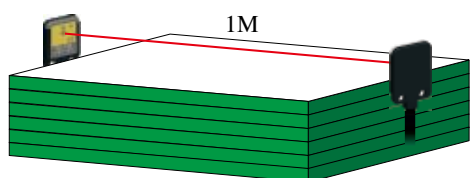
To detect the screws in conveyer.



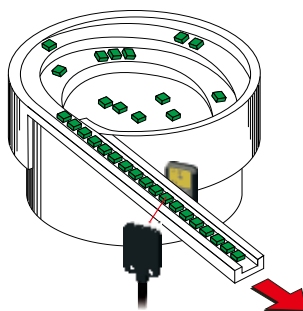
To detect the steel balls passing inside the glass tube.



Long sensing distance : 1M



To detect the objects in conveyer.



Detecting unseated IC.

