

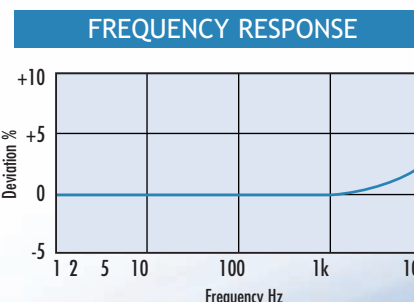
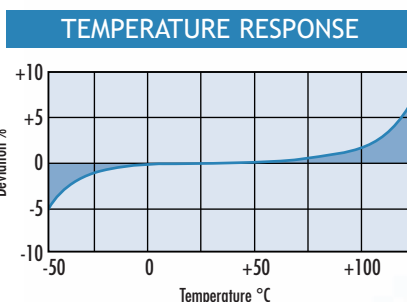
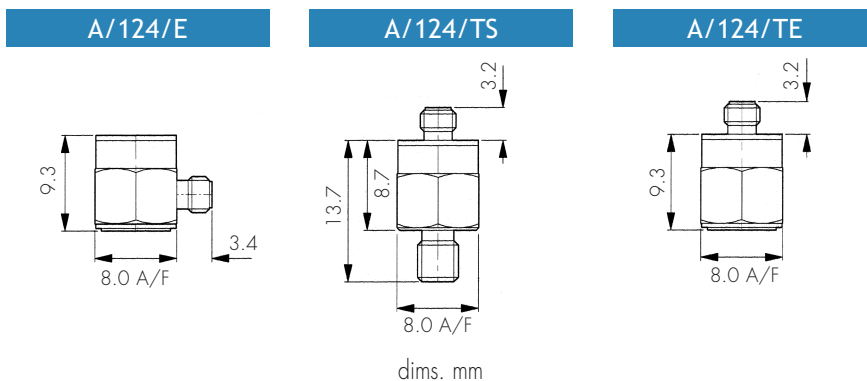


# Miniature piezo-tronic voltage source accelerometer

A/124/E  
A/124/TE  
A/124/TS

10mV/g nom. • 2gm wt.  
125°C max. temp.

A three variant range of low mass (2gm.) accelerometers, each with KONIC sensing element, welded construction, miniature (3.5mm thd.) side or top entry coaxial connector, and titanium case. The two adhesive mount versions (A/124/E, A/124/TE), are provided with bonded isolation discs to minimise ground loop interference, whilst the top entry connector version (A/124/TS) is also available with integral mounting stud but without isolation.



CONVERSION MODE	KONIC/2 WIRE QVC
Voltage sensitivity, @ 20°C mV/g	10
Resonant frequency kHz	70
Cross axis error % max	5
Temperature range °C	-50/+125
Voltage sensitivity deviation re 20°C	-5% @ -50°C +5% @ +125°C
Pyro-electric output, g/°C	0.15
Pyro-electric corner freq. Hz	0.005
Base strain sens. g/μ strain	< 0.01
Max continuous accn. g sine	5000
Supply voltage V	15/35 standard
Supply current mA	2/15
Bias voltage V(20°C)	8.5/9.5
Settling time to 90% final val. secs.	5
Noise level, equiv. mg	3
L.F. corner frequency, Hz	2
Saturation limit, equiv. g	450
Output resistance, ohms	50
Supply ripple reject. @ 50Hz, dB	60
Case material	titanium
Mounting	flat base, adhesive A/124/E, A/124/TE M4 x 5mm, integral stud A/124/TS
Weight gm	2.0 A/124/E, TE ; 2.1 A/124/TS
Connector	KP connector (3.5mm thd.)
Mounting torque Nm	1 A/124/TS
Case seal	welded

## options

- > wideband temperature calibration -50/+125°C.