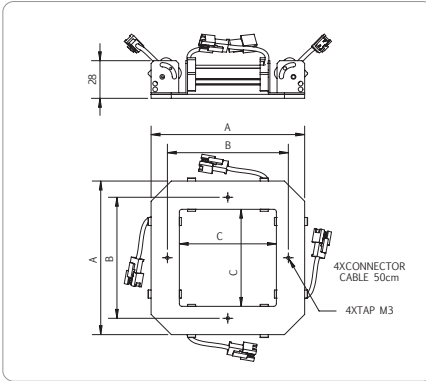
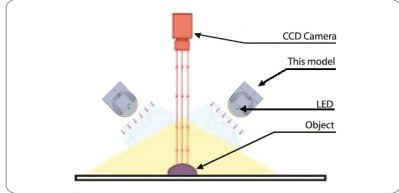


2017 Diffused Illumination

LBDQ SERIES - Diffused Multiple Rectangular Illumination

LBDQ series is a combination of 4 light tubes to provide an even inspection. Each light tube angle can be adjusted for different height application.

Application: label inspection, character inspection, code recognition.



Technical Specification:

- Color Red, Green, Blue and White
- 24V DC Input Power
- Continuous and Strobe Applications
- Compact Size
- Lighting Cable 500mm

Customize Lighting:

- Customize Sizes, Mounting requirements
- Color and Voltage Available
- Consult Technical Sales for More Information

Model	Dimensions (MM)			Color	Voltage / Watt	Current	Weight (g)
	A	B	C				
LBDQ-00-050-1-X	114.0	90.0	72.0	<ul style="list-style-type: none"> ● ● ○ 	24V / 2.88W	120mA	200
LBDQ-00-100-1-X	164.0	140.0	122.0	<ul style="list-style-type: none"> ● ● ○ 	24V / 5.76W	240mA	320

Optional Connector

Standard Lighting Male Connector

PIN 1	24V
PIN 2	-
PIN 3	GND

M8 Male Connector

M8 Pin Assignment

PIN 1	-	-
PIN 2	RED	24V
PIN 3	-	-
PIN 4	BLACK	GND

M12 Male Connector

M12 Pin Assignment

PIN 1	BROWN	24V
PIN 2	WHITE	-
PIN 3	BLUE	GND
PIN 4	BLACK	-
PIN 5	GRAY	-

Product Part Numbering System :
LBDQ-00-050-1-X-24V-M8

Product Part Numbering System :
LBDQ-00-050-1-X-24V-M12